



Features

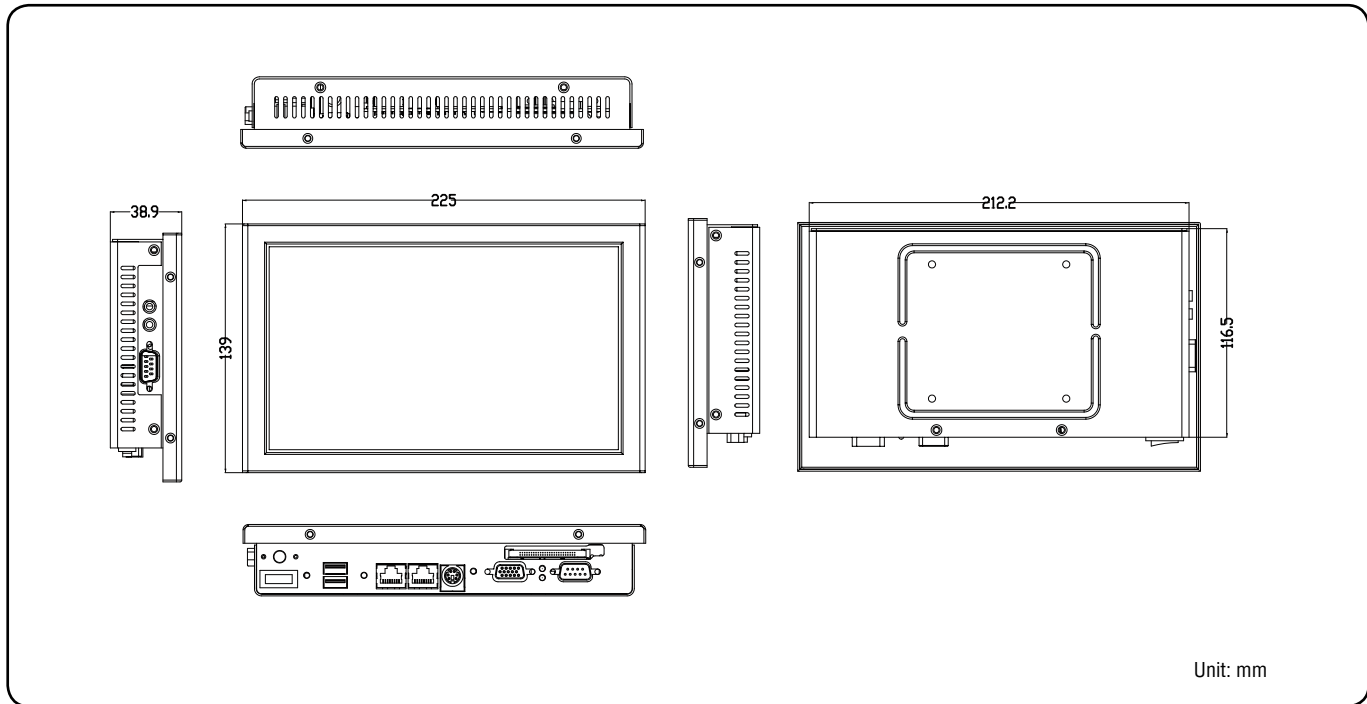
- 8.9" WSVGA TFT Touch Panel PC
- 5-wire Resistive Touch Screen
- FPC-08WA1 :AMD Geode LX800/CS5536 Chipset
FPC-08W04: Intel® 945GSE / ICH7-M Chipset
- VGA, Audio
- Dual Ethernet / Gigabit Ethernet, Optional WiFi Module
- 1 CF, 2 COM, USB
- Fanless & +12V Single Power Input
Wide Range Voltage Input +10V~+28V (FPC-08WA1)
- VESA Compliance



Specifications

Model Name	FPC-08WA1	FPC-08W04
• LCD Size	8.9"	8.9"
• Display Type	WSVGA TFT	WSVGA TFT
• Resolution	1024 x 600	1024 x 600
• Color	262 K	262 K
• Pixel Pitch	0.1905 mm(H) x 0.189 mm(V)	0.1905 mm(H) x 0.189 mm(V)
• Luminance	220 cd/m ²	220 cd/m ²
• Contrast Ratio	300	300
• Viewing Angle	15 (U), 35 (D), 45 (L), 45 (R)	15 (U), 35 (D), 45 (L), 45 (R)
• Response Time	30 ms	30 ms
• Back Light	LED	LED
• Touch Screen	5-wire Resistive	5-wire Resistive
• Light Transmission	80%	80%
• Touch Interface	USB onboard touch interface	USB
System		
• CPU	Onboard AMD Geode LX800 @ 0.9 W 500 MHz with 128K L2 Cache CPU	Intel® Atom™ N270 1.6 GHz CPU
• Cooling Method	Passive CPU heatsink	Passive CPU heatsink
• System Chipset	AMD Geode LX800 / CS5536	Intel® 945GSE / ICH7-M
• I/O Chip	Winbond W83627HG-AW	ITE IT8712F
• System Memory	Onboard 512 MB DDR Memory	One 200-pin SODIMM socket supports up to 2 GB DDR2 400/533 SDRAM
• SSD	1 x CompactFlash Type I/II socket (internal)	1 x CompactFlash Type I/II socket (internal)
• VGA	1 x DB-15	1 x DB-15
• Audio	Line out, Mic in	Line out, Mic in
• WiFi	Optional USB WiFi 802.11 b/g (occupy one USB port)	Optional USB WiFi 802.11 b/g
• Expansion Interface	n/a	1 x PCIe Mini Card slot
Rear I/O		
• Serial Port	1 x RS-232, 1 x RS-232/422/485	1 x RS-232, 1 x RS-232/422/485
• Ethernet	2 x RJ-45 (Realtek RTL8101L LAN)	2 x RJ-45 (Marvell 88E8053 Gigabit Ethernet)
• USB Port	2 x USB 2.0	4 x USB 2.0
• Mouse & K/B	1 x PS/2 KB/MS	n/a

Diagram



Environment & Mechanical

• Color	Front Panel Black; Rear Body Black
• Mounting	Wall Mount/Stand/VESA 75 x 75 mm
• Power Input	100~250 Vdc/ 47~63 Hz
• Power Output	+12 Vdc / 5 A (60W)
• Operating Temperature	0~40°C / -10°C ~ 60°C (FPC-08WA1)
• Storage Temperature	-10°C ~ 50°C
• Relative Humidity	10 to 95% @ 40°C, non-condensing
• Dimension (W x D x H)	225 mm x 139 mm x 38.9 mm
• Weight	1.26 Kgs

Ordering Information

- **FPC-08WA1**
8.9" WSVGA TFT Touch Panel PC with AMD Geode LX800, 5-wire resistive Touch Panel
- **FPC-08W04**
8.9" WSVGA TFT Touch Panel PC with Intel® 945GSE Chipset, 5-wire resistive Touch Panel
- **ACC-WIFI-USB-5R**
VNT6656G6A40-OE+PL99G26-130011(ANTENNA)
- **ACC-ARM-01R (Z Type)**
VESA STAND, 75 mm
- **ACC-CF-XX**
CompactFlash Card Series (xx=Capacity, Capacity Option: 128, 256, 512 MB, 1, 2, 4, 8 GB)

1
Embedded System

2
LPC Series

3
PPC Series

4
FPC Series

5
VTP Series

6
MTP Series

7
ETX/COM Express

8
3.5" SBC

9
EPIC

10
Half-size

11
5.25" SBC

12
PC/104

13
Peripherals

14
Index